

TOPBMS

Official website: www.cleverbms.com ; Wechat: +8617841591535

Aliexpress website: <https://www.aliexpress.com/store/4687150>

Please be aware that the BMS is without bluetooth;

TOPBMS Li-ion BMS 26S-32S

Balancing Current: 200mA



TOPBMS

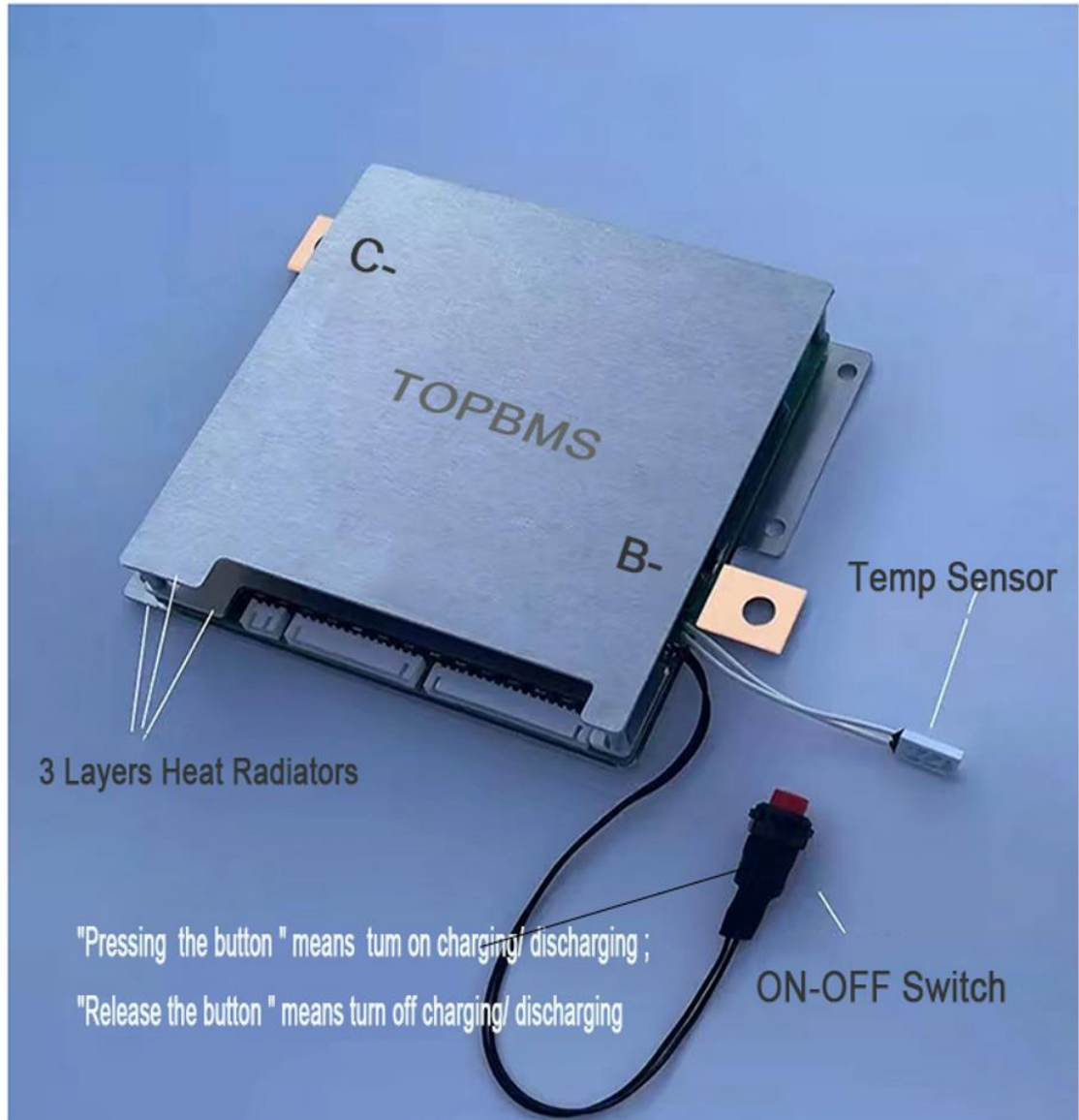
Official website: www.cleverbms.com ; Wechat: +8617841591535

Aliexpress website: <https://www.aliexpress.com/store/4687150>

TOPBMS

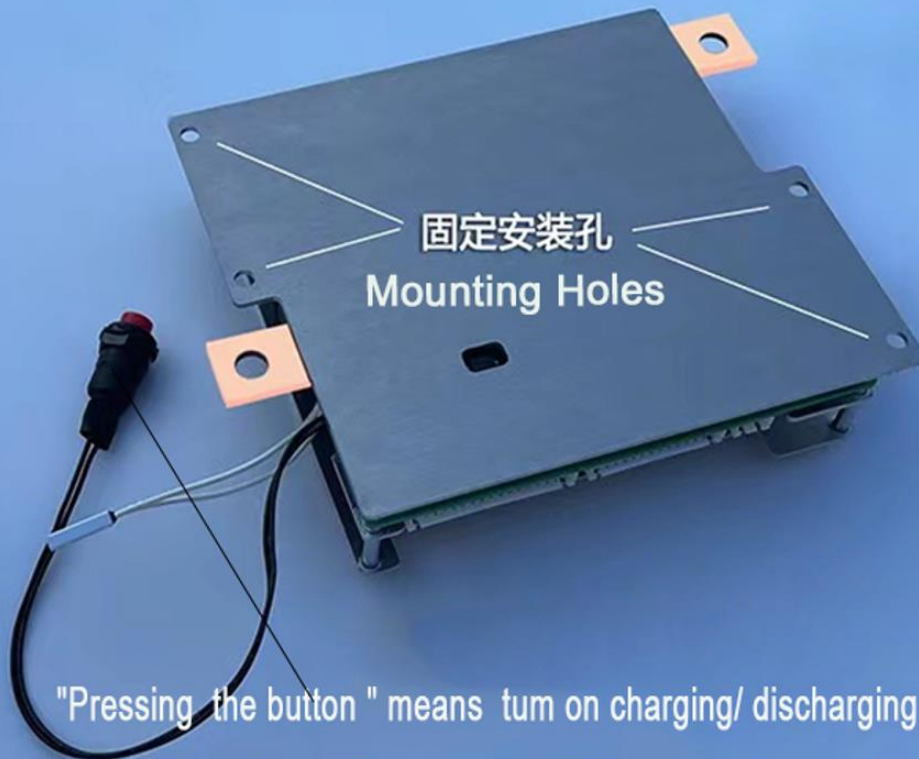
Li-ion BMS 26S-32S 160A-400A

Email: 66057580@qq.com



Product Dimension(REAR)

背面实拍图

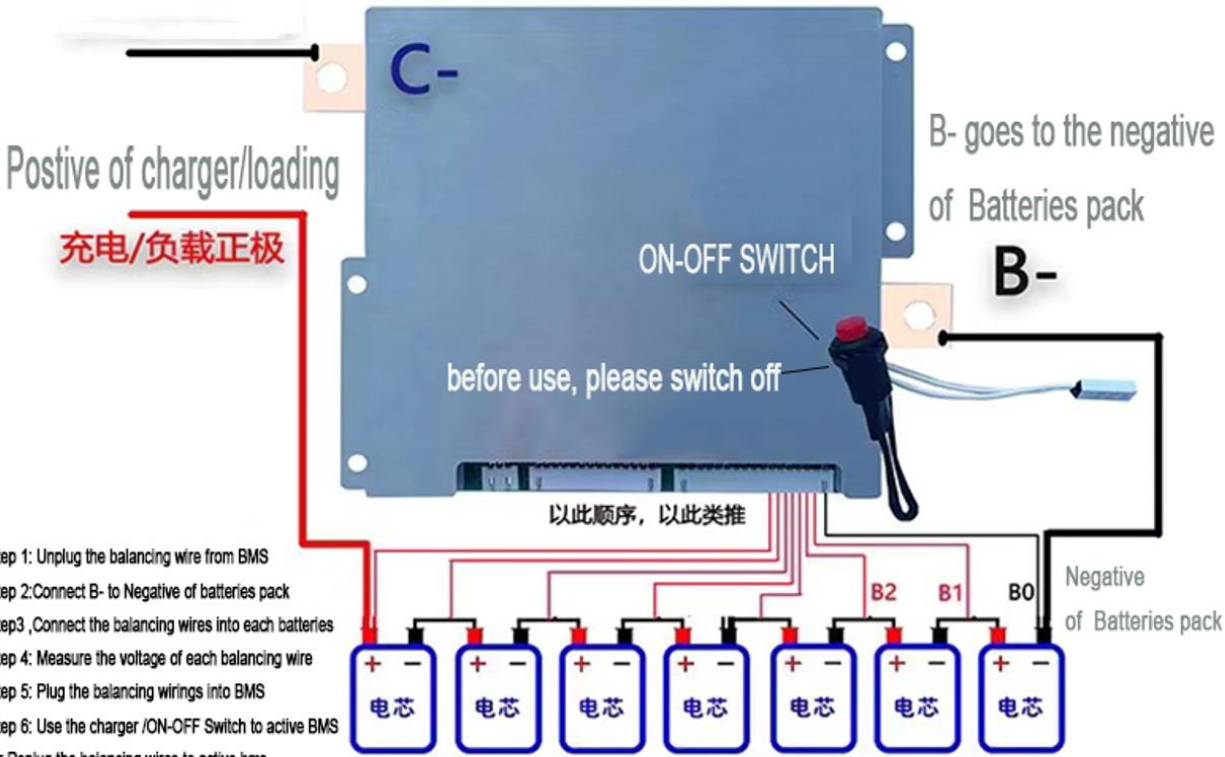


"Pressing the button " means tum on charging/ discharging ;
"Release the button " means turn off charging/ discharging

WIRING DIAGRAM

Email:66057580@qq.com

C- goes to the negative of charger/loading



- Step 1: Unplug the balancing wire from BMS
 - Step 2: Connect B- to Negative of batteries pack
 - Step 3: Connect the balancing wires into each batteries
 - Step 4: Measure the voltage of each balancing wire
 - Step 5: Plug the balancing wirings into BMS
 - Step 6: Use the charger /ON-OFF Switch to active BMS
- Or Replug the balancing wires to active bms

TOPBMS

Official website:www.cleverbms.com ; Wechat:+8617841591535

Aliexpress website: <https://www.aliexpress.com/store/4687150>**TOPBMS**

Parameters Sheet

Email:66067580@qq.com

3.7V Li-Ion BMS 26S-32S PRODUCT PARAMETERS SHEET					
Batteries In Series	26S	27S	28S	30S	32S
Discharging/Charging Current (Common Port)	160A	200A	240A	320A	400A
Over-Current					
Discharging Over-Current (Peak Current) Protection/Cutoff	480A	600A	720A	960A	1200A
Over-Current Protection Delay Time	100-400mS				
Over-Current Protection Release	Loading Cutoff/Charging to Wakeup				
Short Circuit Protection					
Short Circuit Protection Release	Loading Cutoff/Charging to Wakeup				
Short Circuit Protection Delay Time	150-600uS				
Max Charging Voltage	109.2V	113.4V	117.6V	126V	134.4V
Over-Voltage					
Over-Voltage Protection /Cutoff in Charging	4.235V+/-0.05V				
Over-Voltage Delay Time	500-1500mS				
Over-Voltage Protection Release	4.180+0.05V				
Under-Voltage					
Under-Voltage Protection /Cutoff In Discharging	2.800+/-0.1V				
Under-Voltage Delay Time	500-1500mS				
Under-Voltage Protection Release	3.000+/-0.1V				
Balancing					
Balancing Current	200-500mA				
Balancing start Voltage	4.19V				
Temperature Protection (NTC)					
Temperature Protection in Discharging/Charging	75+/-5degree				
Release from Temperature Protection	Less than 75+/-5degree				
Self-consuming					
Release from Self-Consuming	Loading Cutoff/Charging to Wakeup				
Working Consuming	0.4-0.75W				
Current in Sleeping Mode	<50uA				
Working Temperature					
Temperature Range	Minus 30 degree--Plus 100 degree				

TOPBMS

Product Dimension(FRONT)

